



MGRP

MATRIX RECIRCULATOR PACKAGE™



FEATURING THE
Matrix II
MICROPROCESSOR™ CONTROL PANEL





RVS Corporation, Bryan, TX.

Since its founding in 1983, Refrigeration Vessels and Systems Corporation (RVS) has become the customer preferred supplier of innovative industrial refrigeration products including factory assembled, packaged systems and ASME pressure vessels of all types and sizes.

Pressure vessels and vessel packages are manufactured to ASME requirements in the modern Bryan, Texas facility. With over 100,000 square feet of manufacturing area, (10) overhead cranes, state of the art plasma cutting, plate rolling and welding equipment, RVS has the capacity to handle all types of ASME pressure vessel and vessel package requirements.

From the smallest pressure vessel to the largest packages, RVS is committed to providing superior technical support and the highest quality products with fast, on-time shipments.

RVS was acquired by EVAPCO, Inc. in 1994 as a wholly owned subsidiary. EVAPCO is recognized as the leading supplier of innovative and high quality heat transfer equipment to the Industrial Refrigeration, HVAC, Process Cooling and Power Industries. The success of EVAPCO/RVS has been the result of a continual commitment to product innovation and improvement, quality workmanship, and a dedication to providing unparalleled customer service and satisfaction.

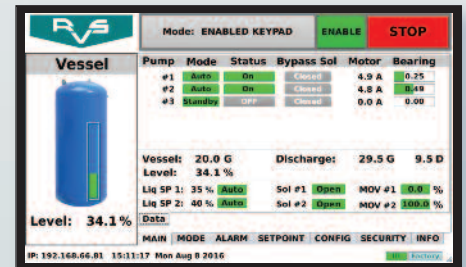
EVAPCO/RVS's powerful combination of financial strength and technical expertise has established the company as a recognized manufacturer of market-leading products on a worldwide basis. EVAPCO/RVS is an employee owned company with a dedicated team committed to excellence.

MRP Matrix Recirculator Package

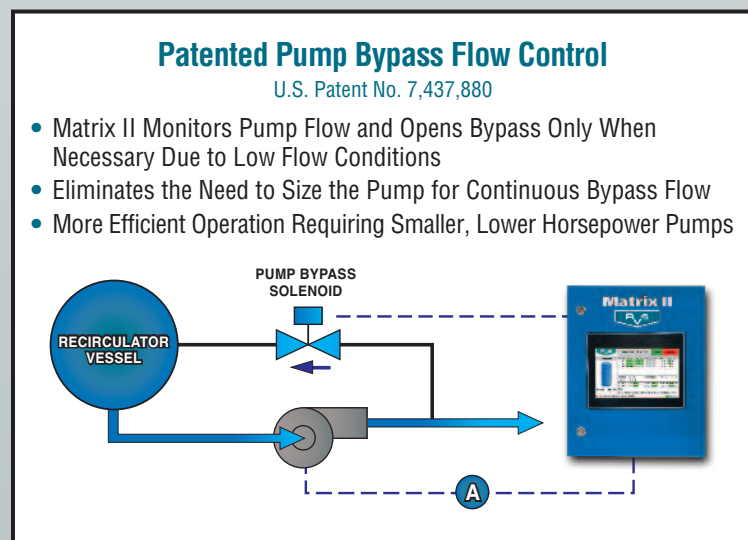
The MRP Matrix Recirculator Package utilizes the highest quality and most advanced components available in the industry and features the Matrix II Microprocessor™ Control Panel. The Matrix II has been engineered by RVS to provide total recirculator control including liquid feed and level control, pump protection, pump bearing wear monitoring, and RVS's patented pump bypass flow control (U.S. Patent No. 7,437,880). The MRP Matrix Recirculator Package with Matrix II is state of the art and confidently backed by RVS with an **EXCLUSIVE and COMPREHENSIVE 3-YEAR WARRANTY!**

Matrix II Microprocessor™ Control Panel Features and Benefits:

- Faster Processing Speed and Color HMI Touch Screen Display
- Control and Protection for Up to Six Pumps Plus a Transfer Pump
- Integrated Pump Bearing Wear Monitor on the Display Screen with Safety Cutouts and Alarms
- Patented Pump Bypass Flow Control
- Pump Differential Pressure and Current Monitoring with Safety Cutouts and Alarms
- Automatic Operation of Pumps and Proportional Liquid Feed or Solenoid Valves
- Digital Liquid Level Display on Screen and High/Low Level Monitoring with Safety Cutouts and Alarms
- External Communication and Remote Monitoring
- Factory Wired, Packaged, and Tested – Simple, Ready to Go Installation with Single Point Power Connection. See RVS Bulletin 590 for More Information on Matrix II
- No Control System in the Industry Provides Comparable Pump Protection and Control



Matrix II Display





ASME, 250 PSIG, Recirculator Vessel

- National Board Registration
- Vertical or Horizontal Vessel Configuration Available from 24” to 144” Outside Diameter
- Dual Safety Relief Valve Assembly Set at 250 PSIG (Shipped Loose)
- Internally Routed Minimum Bypass Flow, Motor Cooling, Oil Pot Vent and Oil Pot Relief Line Piping Reduces Insulation Cost and Potential for Shipping Damage
- Stainless Steel Nameplate Bracket and Standoff to Prevent Corrosion

#5 Liquid Level Column

- Liquid Level Indicating Column With Isolation Valves
- Five Level Indicators With Frost Shields and Oil Drain
- Danfoss Cable Type, Electronic Level Probe
- High Level Shutdown Mechanical Float Switch for Compressor Protection

Proportional Liquid Feed Assembly (Not Shown)

- Modulating Valve Minimizes Pressure Surges and Protects Pumps from Cavitation
- Backup Solenoid Valve Provides Positive Shutoff In the Event of a Power Failure
- Can Be Configured as a Single or Dual Liquid Feed Assembly

ASME, 400 PSIG, Oil Pot

- Oil Pot Mounted and Piped With All Required Service Valves
- Single, Replaceable Cartridge Style, Safety Relief Valve
- Relief Valve Discharge Piped Internal to the Main Vessel Vapor Space
- Optional Dual Relief Assembly

RVS Recirculation Pumps

- Manufactured by Teikoku - Market Leader in Double Containment, Seal-less, Leak Proof Low-Probability Pumps
- Exclusive TRG Bearing Wear Monitor at the Pump and on the Matrix II Display Screen
- Secondary Containment System Eliminates Leaks to Atmosphere
- Low NPSH with Capacities from 55-480 GPM in 460 or 575 Volt Service CSA
- Motor Cooling and Individual Pump Minimum Flow Bypass Lines Piped Internal to the Main Vessel



(2) Pumps—Standard

RVS Quality

- Surfaces Prepped to SSPC-SP6
- Vessel Hydrostatically Pressure Tested in Accordance with ASME BPVC, Section VIII, Div. 1
- Factory Package Piping Welded and Tested in Accordance with ASME B31.5
- Entire Assembly is Fully Evacuated to Eliminate Moisture and Charged With Dry Nitrogen
- Entire Assembly is Coated With a High Solids Epoxy Paint
- Controls Wired, Programmed, and Tested
- Exclusive and Comprehensive 3 Year Warranty when Equipped with the Matrix II Microprocessor Control Panel



Options

- 300, 350 and up to 580 PSIG Design Rating
- Corrosion Allowance on Vessel Shell, Heads and/or Nozzles
- Post Weld Heat Treatment (PWHT)
- Stainless Steel Vessel, Oil Pot, and/or Level Column Construction
- SA333 Grade 6 LowTemperature or Stainless Steel Piping
- 1.5 kw Oil Pot Heater
- Radiography of Pipe Welds
- Seismic Design Calculations
- Conventional On/Off Solenoid and Hand Expansion Liquid Feed Assembly (Single or Dual)
- Electromechanical Control Panel with Starters and Disconnects



SELECTION PROCEDURE

STEP 1: From Table 1A or 1B, select a model with a capacity equal to or greater than the required capacity at the given evaporator saturated suction temperature.

STEP 2: From Table 2A or 2B, check the available surge volume for the model selected against the required system surge volume. If the available surge volume is inadequate, select the next larger model with sufficient surge volume (or contact the factory).

STEP 3: From Table 3, convert tons of refrigeration to gpm.

STEP 4: From Table 4, select the pumps with sufficient gpm capacity and pump differential.

STEP 5: From Tables 5-8, select the RVS Liquid Feed Assembly (LFA) model number.

For LFA's with Motorized valves, refer to the "A" Tables arranged by liquid feed temperature - either High Temperature, +95°F (Tables 5A or 6A) or Low Temperature, +35°F (Tables 7A or 8A) based on preferred brand (either Danfoss or Hansen).

For LFA's with Hand Expansion (HX) valves, refer to the "B" Tables arranged as noted above.

WHEN ORDERING PLEASE SPECIFY:

Recirculator model number and pump. Please include total required capacity in tons of refrigeration, saturated suction temperature, recirculation rate, surge volume, liquid feed temperature, voltage/frequency, and liquid feed assembly (LFA) model number.

Table 1A MRP VERTICAL RECIRCULATOR CAPACITIES - TONS OF REFRIGERATION R-717

MODEL NO.	EVAPORATOR TEMPERATURE °F									
	SINGLE STAGE*						TWO STAGE**			
	30°F	20°F	10°F	0°F	-10°F	-20°F	-20°F	-30°F	-40°F	-50°F
MRP-24V	145	132	118	105	92	79	93	80	67	56
MRP-30V	229	209	188	166	146	126	148	126	107	90
MRP-36V	333	303	273	242	212	183	215	184	156	130
MRP-42V	456	416	373	331	290	251	295	252	213	179
MRP-48V	599	546	490	435	381	329	387	331	280	234
MRP-54V	754	687	617	547	479	415	487	416	352	295
MRP-60V	935	851	765	678	594	514	603	516	437	366
MRP-72V	1344	1224	1100	975	854	739	868	742	628	526
MRP-84V	1838	1674	1504	1334	1169	1011	1187	1016	860	720
MRP-96V	2410	2195	1972	1750	1532	1326	1557	1332	1127	945
MRP-108V	3045	2774	2492	2211	1936	1675	1966	1683	1424	1193
MRP-120V	3739	3405	3060	2714	2377	2056	2414	2066	1749	1465
MRP-144V	5415	4931	4431	3930	3443	2978	3496	2992	2532	2121

* Single stage capacities based on +95°F liquid supply temperature.

** Two stage capacities based on +25°F liquid supply temperature.

Table 1B MRP HORIZONTAL RECIRCULATOR CAPACITIES - TONS OF REFRIGERATION R-717

MODEL NO.	EVAPORATOR TEMPERATURE °F									
	SINGLE STAGE*						TWO STAGE**			
	30°F	20°F	10°F	0°F	-10°F	-20°F	-20°F	-30°F	-40°F	-50°F
MRP-24H	113	103	92	82	72	62	73	62	53	44
MRP-30H	189	172	155	137	120	104	122	104	88	74
MRP-36H	285	260	233	207	181	157	184	157	133	111
MRP-42H	400	364	327	290	254	220	258	221	187	156
MRP-48H	535	487	437	388	340	294	345	295	250	209
MRP-54H	681	621	558	495	433	375	440	376	318	267
MRP-60H	854	777	699	620	543	469	551	472	399	334
MRP-72H	1247	1136	1020	905	793	686	805	689	583	489
MRP-84H	1726	1571	1412	1252	1097	949	1114	953	807	676
MRP-96H	2282	2078	1866	1656	1451	1255	1473	1260	1067	894
MRP-108H	2900	2641	2373	2105	1844	1595	1873	1603	1356	1136
MRP-120H	3578	3258	2927	2597	2274	1968	2310	1977	1673	1402
MRP-144H	5220	4754	4272	3789	3319	2871	3370	2885	2442	2045

* Single stage capacities based on +95°F liquid supply temperature.

** Two stage capacities based on +25°F liquid supply temperature.



SURGE VOLUME - WEIGHT - OPERATING CHARGE

Table 2A

MODEL NO.	VERTICAL PACKAGE		
	Surge Volume Cubic Feet (Ft ³)	Shipping Weight LBS. (Approx.)	Operating Charge* LBS. NH ₃
MRP-24V	12.8	3,800	98
MRP-30V	20.6	4,350	147
MRP-36V	31.6	4,950	203
MRP-42V	57.6	5,915	449
MRP-48V	78.1	6,750	569
MRP-54V	93.8	8,360	688
MRP-60V	119	9,720	821
MRP-72V	152	13,450	1637
MRP-84V	218	16,880	2113
MRP-96V	279	20,550	2520
MRP-108V	309	26,375	4325
MRP-120V	402	36,875	4899
MRP-144V	545	51,500	6324

Table 2B

MODEL NO.	HORIZONTAL PACKAGE		
	Surge Volume Cubic Feet (Ft ³)	Shipping Weight LBS. (Approx.)	Operating Charge* LBS. NH ₃
MRP-24H	10.5	4,500	369
MRP-30H	17.8	4,950	509
MRP-36H	29.4	5,350	573
MRP-42H	41.2	5,980	741
MRP-48H	58.2	6,970	807
MRP-54H	77.6	8,370	850
MRP-60H	100	9,790	907
MRP-72H	146	13,695	1327
MRP-84H	213	18,600	1461
MRP-96H	293	22,350	1582
MRP-108H	387	28,750	1676
MRP-120H	494	38,600	1723
MRP-144H	761	49,750	1920

* Operating charge at +20°F

Table 3

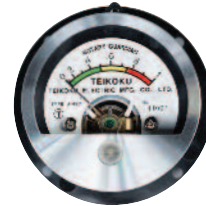
CONVERSION CHART - GALLONS/MINUTE/TON R-717

OVERFEED RATE	EVAPORATOR TEMPERATURE °F								
	30°F	20°F	10°F	0°F	-10°F	-20°F	-30°F	-40°F	-50°F
1.2:1	0.082	0.080	0.078	0.076	0.074	0.073	0.071	0.070	0.068
1.8:1	0.124	0.121	0.118	0.115	0.112	0.109	0.107	0.104	0.103
3:1	0.206	0.201	0.196	0.191	0.186	0.182	0.178	0.174	0.171
4:1	0.275	0.268	0.261	0.254	0.249	0.243	0.238	0.232	0.228

Table 4

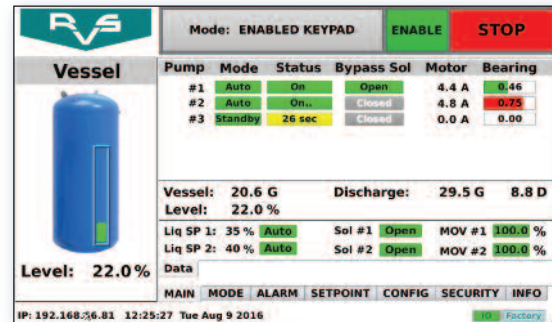
TEIKOKU/RVS PUMP SELECTIONS

PUMP MODEL	MAX. GPM	PSID	HP	MIN. FLOW
RVS-55-20-1.7	55	20	1.7	11
RVS-60-30-2.9	60	30	2.9	8
RVS-120-30-5.2	120	30	5.2	13
RVS-190-30-8.3	190	30	8.3	40
RVS-270-30-11.3	270	30	11.3	40
RVS-375-30-14.7	375	30	14.7	66
RVS-480-30-20	480	30	20	66
RVS-60-45-4.5	60	45	4.5	13
RVS-120-45-8.3	120	45	8.3	21
RVS-190-45-13.4	190	45	13.4	53
RVS-270-45-20	270	45	20	66
RVS-375-45-22.7	375	45	22.7	66
RVS-480-45-22.7	480	45	22.7	66
RVS-160-70-16	160	70	16	45



TRG Monitor on the Pump

Note: Maximum GPM is the pump capacity available to the system when using the Matrix II Microprocessor™ Control Panel. If the Matrix II is not used, subtract the MIN. FLOW from the MAX. GPM to get the available system GPM.

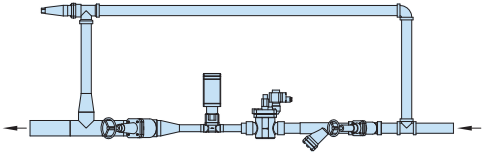


TRG Bearing Wear Monitoring on the Matrix II

RVS has selected a complete line of low NPSH Teikoku pumps for industrial refrigeration service. Teikoku is the world's largest manufacturer of sealless, canned (hermetic) pumps. The pumps are manufactured of 304 Stainless Steel with 300 Class ANSI flanges and include a secondary containment system which prevents any leakage to atmosphere. The pumps also feature a patented TRG monitor to measure bearing wear and rotation. When supplied with the Matrix II, the TRG bearing wear monitoring system is simultaneously displayed on the easy to see and access color HMI touch screen. The Matrix II provides continuous monitoring along with bearing wear safety cutouts, auto pump switching, and alarms.

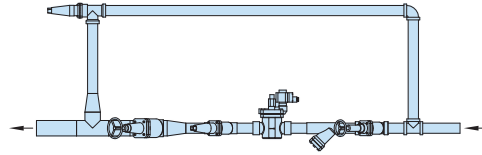


RVS LIQUID FEED ASSEMBLY (LFA)



Single Liquid Feed Assembly (LFA) with Motorized Valve

Liquid Feed Assembly (factory assembled) includes a motorized valve, solenoid valve (120 volt), strainer (flanges added for Hansen - not shown), two globe shut-off valves, and one angle hand expansion bypass valve.



Single Liquid Feed Assembly (LFA) with Hand Expansion Valve (HX)

Liquid Feed Assembly (factory assembled) includes a hand expansion valve, a solenoid valve (120 volt), strainer (flanges added for Hansen - not shown), two globe shut-off valves, and one angle hand expansion bypass valve.

HIGH TEMPERATURE LIQUID FEED

Table 5A SINGLE LFA - DANFOSS - MOTORIZED VALVE +95°F LFT

MODEL NO.	INLET LINE SIZE	TR @ +30°F	TR @ +0°F	TR @ -20°F	TR @ -40°F*
DMHT-075	3/4"	53	52	51	48
DMHT-100	1"	104	103	102	65
DMHT-125	1-1/4"	225	221	218	125
DMHT-150	1-1/2"	345	338	333	180
DMHT-200	2"	677	665	656	480
DMHT-250	2-1/2"	1277	1255	1240	755
DMHT-300	3"	2243	2215	2145	1090
DMHT-400	4"	2554	2610	2647	1890

Table 5B SINGLE LFA - DANFOSS - HX VALVE +95°F LFT

MODEL NO.	INLET LINE SIZE	TR @ +30°F	TR @ +0°F	TR @ -20°F	TR @ -40°F*
DHXHT-075	3/4"	37	36	35	33
DHXHT-100	1"	73	72	67	45
DHXHT-125	1-1/4"	158	155	153	88
DHXHT-150	1-1/2"	242	237	233	126
DHXHT-200	2"	474	466	459	336
DHXHT-250	2-1/2"	894	879	868	528
DHXHT-300	3"	1113	1092	1078	1057

Table 6A SINGLE LFA - HANSEN - MOTORIZED EXP VALVE +95°F LFT

MODEL NO.	INLET LINE SIZE	TR @ +30°F	TR @ +0°F	TR @ -20°F	TR @ -40°F*
HMHT-075	3/4"	53	52	51	47
HMHT-100	1"	104	103	101	65
HMHT-125	1-1/4"	225	215	155	110
HMHT-150	1-1/2"	344	338	250	175
HMHT-200	2"	677	665	656	480
HMHT-250	2-1/2"	1280	1255	1240	755
HMHT-300	3"	2025	2000	1520	1080
HMHT-400	4"	2710	2650	2620	1870

Table 6B SINGLE LFA - HANSEN - HX VALVE +95°F LFT

MODEL NO.	INLET LINE SIZE	TR @ +30°F	TR @ +0°F	TR @ -20°F	TR @ -40°F*
HHXHT-075	3/4"	37	36	35	33
HHXHT-100	1"	73	72	65	46
HHXHT-125	1-1/4"	158	150	105	77
HHXHT-150	1-1/2"	215	210	175	125
HHXHT-200	2"	420	413	385	330
HHXHT-250	2-1/2"	890	875	735	520
HHXHT-300	3"	1430	1400	1065	755

* 95°/-40°F Capacities are limited by the outlet pipe velocity.

LOW TEMPERATURE LIQUID FEED

Table 7A SINGLE LFA - DANFOSS - MOTORIZED VALVE +30°F LFT

MODEL NO.	INLET LINE SIZE	TR @ -20°F	TR @ -40°F
DMLT-075	3/4"	61	60
DMLT-100	1"	110	105
DMLT-125	1-1/4"	195	190
DMLT-150	1-1/2"	270	265
DMLT-200	2"	480	475
DMLT-250	2-1/2"	665	655
DMLT-300	3"	1020	1005

Table 7B SINGLE LFA - DANFOSS - HX VALVE +30°F LFT

MODEL NO.	INLET LINE SIZE	TR @ -20°F	TR @ -40°F
DHXL-075	3/4"	43	42
DHXL-100	1"	76	74
DHXL-125	1-1/4"	137	133
DHXL-150	1-1/2"	189	186
DHXL-200	2"	336	333
DHXL-250	2-1/2"	385	378
DHXL-300	3"	507	497

Table 8A SINGLE LFA - HANSEN - MOTORIZED EXP VALVE +30°F LFT

MODEL NO.	INLET LINE SIZE	TR @ -20°F	TR @ -40°F
HMLT-075	3/4"	62	60
HMLT-100	1"	122	105
HMLT-125	1-1/4"	260	180
HMLT-150	1-1/2"	400	290
HMLT-200	2"	690	450
HMLT-250	2-1/2"	1190	775
HMLT-300A	3"	1870	1220
HMLT-300B	3"	2365	1760

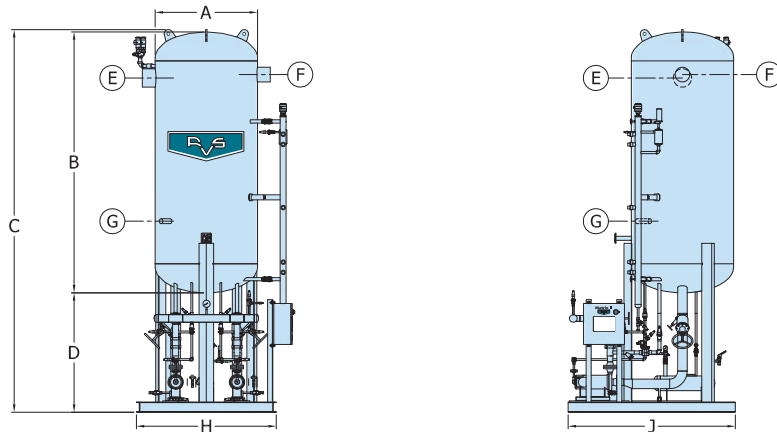
Table 8B SINGLE LFA - HANSEN - HX VALVE +30°F LFT

MODEL NO.	INLET LINE SIZE	TR @ -20°F	TR @ -40°F
HHXL-075	3/4"	43	42
HHXL-100	1"	85	75
HHXL-125	1-1/4"	180	125
HHXL-150	1-1/2"	280	200
HHXL-200	2"	550	540
HHXL-250	2-1/2"	1000	855
HHXL-300	3"	1600	1230

The tables above (5 thru 8) are mass flow based on using the stated Liquid Feed Temperature (LFT) and show Tons of Refrigeration (TR) at the stated evaporating (saturated suction) temperature.

Dual Liquid Feed Assemblies are available - contact your local Representative or the Factory.

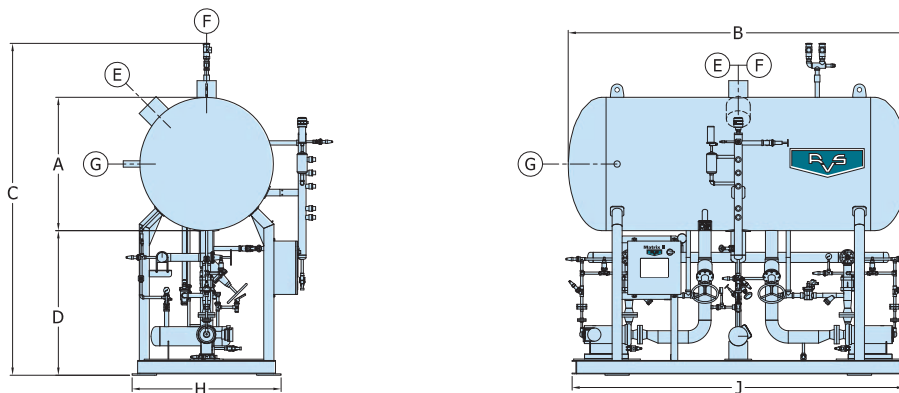
MRP RECIRCULATOR SYSTEM – VERTICAL



MODEL NUMBER	A Vessel Diameter	B Vessel Length	C Overall Height	D Floor to Btm of Vessel	E Wet Return	F Dry Gas Outlet	G Liquid Make-Up	H Base Width	J Base Length
MRP-24V	24	112-1/2	181	64	5	4	1-1/4	60	89
MRP-30V	30	115	186	66	6	5	1-1/4	73	96
MRP-36V	36	118	188	66	6	6	1-1/2	76	101
MRP-42V	42	144	213	66	8	6	2	82	105
MRP-48V	48	147	220	70	8	8	2	82	92
MRP-54V	54	150	223	70	10	8	2	82	95
MRP-60V	60	153	224	70	10	8	2-1/2	82	98
MRP-72V	72	159	237	78	12	10	3	86	115
MRP-84V	84	165	247	82	12	10	3	96	126
MRP-96V	96	171	257	86	14	12	4	112	129
MRP-108V	108	177	273	88	16	12	4	121	151
MRP-120V	120	183	278	88	16	14	4	134	168
MRP-144V	144	195	290	88	20	16	5	124	168

All dimensions are given in inches and are for reference only. Consult factory for certified drawing.

MRP RECIRCULATOR SYSTEM – HORIZONTAL



MODEL NUMBER	A Vessel Diameter	B Vessel Length	C Overall Height	D Floor to Btm of Vessel	E Wet Return	F Dry Gas Outlet	G Liquid Make-Up	H Base Width	J Base Length
MRP-24H	24	135-1/2	125	78	4	4	1	61	135-1/2
MRP-30H	30	138	128	75	5	5	1-1/4	61	135-1/2
MRP-36H	36	141	131	72	6	5	1-1/2	61	135-1/2
MRP-42H	42	144	131	66	8	6	2	61	135-1/2
MRP-48H	48	147	137	66	8	8	2	61	135-1/2
MRP-54H	54	150	143	66	8	8	2	65	135-1/2
MRP-60H	60	153	150	65	10	8	2-1/2	67	149-1/2
MRP-72H	72	159	174	77	10	10	2-1/2	87	159
MRP-84H	84	165	191	83	12	10	3	81	165
MRP-96H	96	171	208	85	14	12	3	91-1/8	188
MRP-108H	108	177	224	89	16	12	4	101-5/8	191
MRP-120H	120	183	240	92	16	14	4	111-7/8	191
MRP-144H	144	195	264	92	20	16	5	132-1/2	191

All dimensions are given in inches and are for reference only. Consult factory for certified drawing.



EVAPCO PRODUCTS ARE MANUFACTURED WORLDWIDE.



- World Headquarters/ Research and Development Center
- EVAPCO Facilities

EVAPCO, Inc. — World Headquarters & Research/Development Center

P.O. Box 1300 • Westminster, MD 21158 USA
410-756-2600 p • marketing@evapco.com • evapco.com

EVAPCO North America

EVAPCO, Inc.
World Headquarters
P.O. Box 1300
Westminster, MD 21158 USA
410-756-2600 p
410-756-6450 f
marketing@evapco.com

Refrigeration Vessels & Systems Corporation
A wholly owned subsidiary of EVAPCO, Inc.
1520 Crosswind Dr.
Bryan, TX 77808 USA
979-778-0095 p
979-778-0030 f
sales@rvscorp.com

EVAPCO East
5151 Allendale Lane
Taneytown, MD 21787 USA
410-756-2600 p | 410-756-6450 f
marketing@evapco.com

EVAPCO East
Key Building
Taneytown, MD USA
410-756-2600 p
marketing@evapco.com

EVAPCO Midwest
Greenup, IL USA
217-923-3431 p
evapcomw@evapcomw.com

EVAPCO West
Madera, CA USA
559-673-2207 p
contact@evapcowest.com

EVAPCO Iowa
Lake View, IA USA
712-657-3223 p

EVAPCO Iowa
Sales & Engineering
Medford, MN USA
507-446-8005 p
evapcomn@evapcomn.com

EVAPCO Newton
Newton, IL USA
618-783-3433 p
evapcomw@evapcomw.com

EVAPCOLD
Greenup, IL USA
217-923-3431 p
evapcomw@evapcomw.com

EVAPCO Europe

EVAPCO Europe BVBA
European Headquarters
Heersteveldweg 19
Industrieterrein Oost
3700 Tongeren, Belgium
(32) 12-395029 p
(32) 12-238527 f
evapco.europe@evapco.be

EVAPCO Europe, S.r.l.
Milan, Italy
(39) 02-939-9041 p
evapcoeuropa@evapco.it

EVAPCO Europe, S.r.l.
Sondrio, Italy

EVAPCO Europe GmbH
Meerbusch, Germany
(49) 2159 6956 18 p
info@evapco.de

EVAPCO Air Solutions
A wholly owned subsidiary of EVAPCO, Inc.
Aabybro, Denmark
(45) 9824 4999 p
info@evapco.dk

EVAPCO Air Solutions GmbH
Garbsen, Germany
(49) 5137 93875-0 p
info@evapcoas.de

Evap Egypt Engineering Industries Co.
A licensed manufacturer of EVAPCO, Inc.
Nasr City, Cairo, Egypt
2 02 24022866/2 02 24044997 p
primacool@link.net / shady@primacool.net

EVAPCO Middle East DMCC
Dubai, United Arab Emirates
+971 4 448 7242 p
info@evapco.ae

EVAPCO S.A. (Pty.) Ltd.
A licensed manufacturer of EVAPCO, Inc.
Isando 1600, Republic of South Africa
(27) 11-392-6630 p
evapco@evapco.co.za

EVAPCO Asia/Pacific

EVAPCO Asia/Pacific Headquarters
Baoshan Industrial Zone Shanghai, P.R. China
1159 Luoning Rd. Baoshan Industrial Zone
Shanghai 200949, P.R. China
(86) 21-6687-7786 p
(86) 21-6687-7008 f
marketing@evapcochina.com

EVAPCO (Shanghai) Refrigeration Equipment Co., Ltd.
Baoshan Industrial Zone Shanghai, P.R. China
(86) 21-6687-7786 p
marketing@evapcochina.com

Beijing EVAPCO Refrigeration Equipment Co., Ltd.
Huairou District Beijing, P.R. China
010-6166-7238 p
evapcobj@evapcochina.com

EVAPCO Air Cooling Systems (Jiaxing) Company, Ltd.
Building 10, 1133 Taoyuan Road,
Jiaxing, Zhejiang, China
(86) 573 83119379
info@evapcoacs.cn

EVAPCO Australia (Pty.) Ltd.
Riverstone NSW 2765, Australia
(61) 2 9627-3322 p
sales@evapco.com.au

EvapTech Asia Pacific Sdn. Bhd
A wholly owned subsidiary of EvapTech, Inc.
Puchong, Selangor, Malaysia
(60-3) 8070-7255 p

South America

EVAPCO Brasil
Equipamentos Industriais Ltda.
Al. Vênus, 151 – CEP: 13347-659
Indaiatuba – São Paulo – Brasil
(55+11) 5681-2000 p
vendas@evapco.com.br

Fan Technology Resources
Cruz das Almas – Indaiatuba
São Paulo, Brasil 13308-200
(55 (11) 4025-1670
fantr@fantr.com



Mixed Sources
Product group from well-managed
forests, controlled sources and
recycled wood or fiber
www.fsc.org Cert no. BV-COC-080211
© 1996 Forest Stewardship Council

